



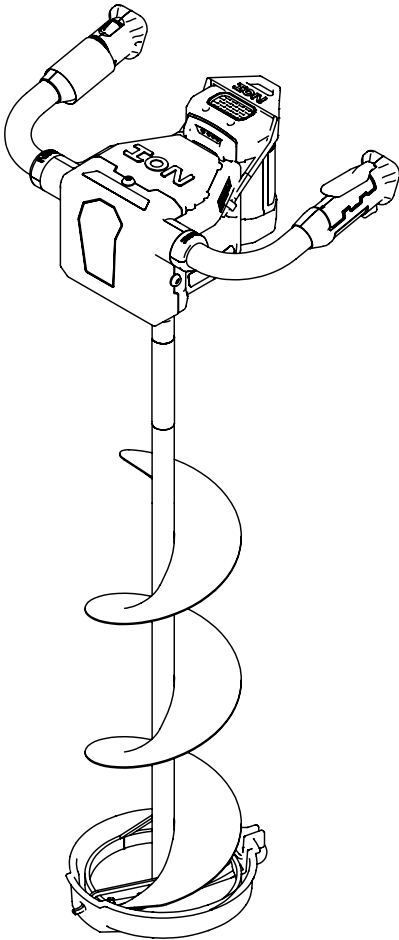
ION™

ICE FISHING

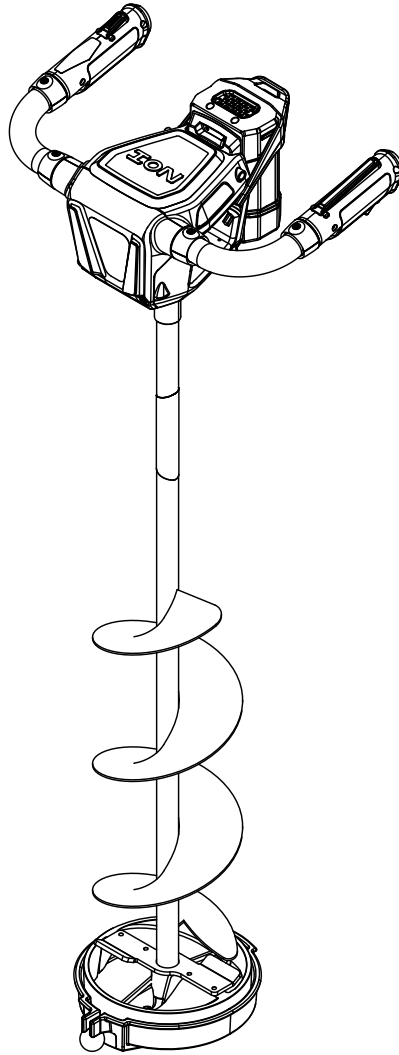
Operator's Manual

ION® & ION® R1

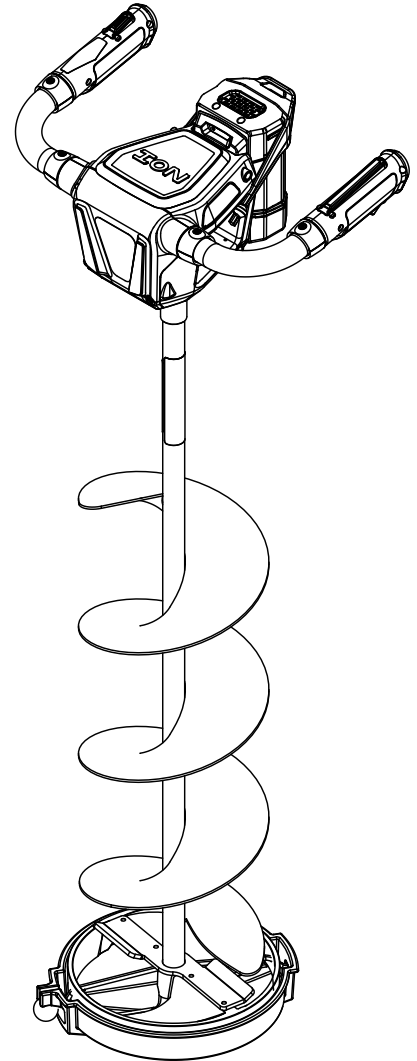
ELECTRIC ICE AUGERS



#33405



#39250



#39300



INTRODUCTION

Thank you for purchasing an ION® Electric Ice Auger from Ardisam, Inc. We have worked to ensure that this ice auger meets high standards for usability and durability. With proper care, your ice auger will provide you many years of service. Please take the time to read this manual carefully to learn how to correctly operate and maintain your ice auger. Congratulations on your investment in quality. Save these instructions for future reference. Ardisam, Inc reserves the right to change or alter this manual without notice.

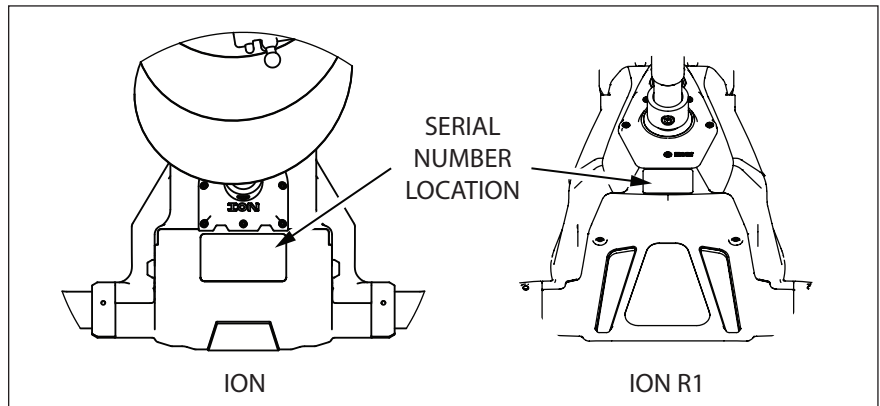
Contents

Introduction / Registration and Service.....2
 Important Safety Precautions 3-4
 Unpacking and Assembly5
 Operation5-6
 Maintenance and Storage7
 Service and Repairs8
 Troubleshooting 8-9
 Warranty10
 Notes.....11

Registration and Service

Record the product model number and serial number in the space provided for easy reference when ordering parts or requesting technical support. You can register your warranty online by visiting www.ioniceaugers.com, or by mailing it to:

ION®
 1160 Eighth Avenue, Cumberland, WI 54829.
 Our customer service department can be reached at (800) 345-6007 Mondays through Fridays from 8 a.m. to 5 p.m. CT.



OWNERSHIP RECORDS		
Place of Purchase:		
Place of Purchase Address:		
City:	State/Province:	Zip Code/Postal Code:
Model Number:		Serial Number
Date of Purchase:		
Notes:		

This manual may contain information for several models. Read and keep this manual for future reference. This manual contains important information on SAFETY, ASSEMBLY, OPERATION, AND MAINTENANCE. The owner must be certain that all the product information is included with the unit. This information includes the MANUAL, the REPLACEMENT PARTS and the WARRANTIES. This manual should remain with the unit even if it is resold.

WARNINGS AND SAFETY PRECAUTIONS

Operator's Responsibility

Accurate, safe and effective use of this product is the operator's responsibility.

- Read and follow all safety instructions.
- Maintain this machine according to directions and schedule included in this operator's manual.
- Ensure that anyone who uses the machine is familiar with and understands all controls and safety precautions.
- Do not discard battery into trash can. Discard the battery according to your local, state, federal or country's regulations.

Safety Messages

Your manual contains special messages to bring attention to potential safety concerns, as well as helpful operating and servicing information. Please read all the information carefully to avoid injury and machine damage.

NOTE: *General information is given throughout the manual that may help the operator in the operation or service of the product.*



THIS SYMBOL POINTS OUT IMPORTANT SAFETY INSTRUCTIONS WHICH IF NOT FOLLOWED COULD ENDANGER YOUR PERSONAL SAFETY.

Before Operating Unit:

Please read this section carefully. Read entire operating and maintenance instructions. Failure to follow instructions could result in injury or death. Operate the machine according to the safety instructions outlined here and inserted throughout the text. Anyone who uses this machine must read the instructions and be familiar with the controls.



WARNING

WARNING INDICATES A HAZARD WHICH, IF NOT AVOIDED, COULD RESULT IN DEATH OR SERIOUS INJURY AND/OR PROPERTY DAMAGE.



CAUTION

CAUTION INDICATES YOU CAN BE HURT OR YOUR EQUIPMENT DAMAGED IF THE SAFETY INSTRUCTIONS THAT FOLLOW THIS SIGNAL WORD ARE NOT OBEYED.



IMPORTANT

INDICATES HELPFUL INFORMATION FOR PROPER ASSEMBLY, OPERATION, OR MAINTENANCE OF YOUR EQUIPMENT.



WARNING

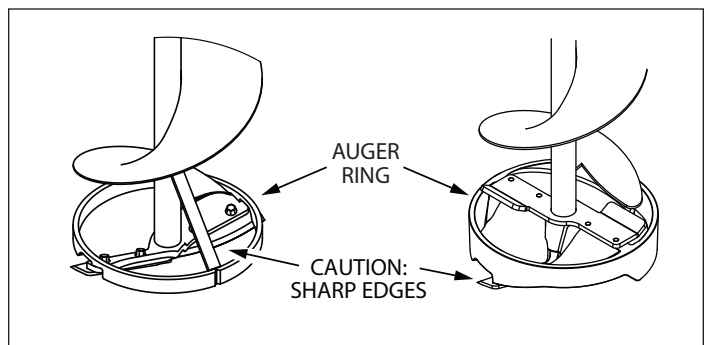
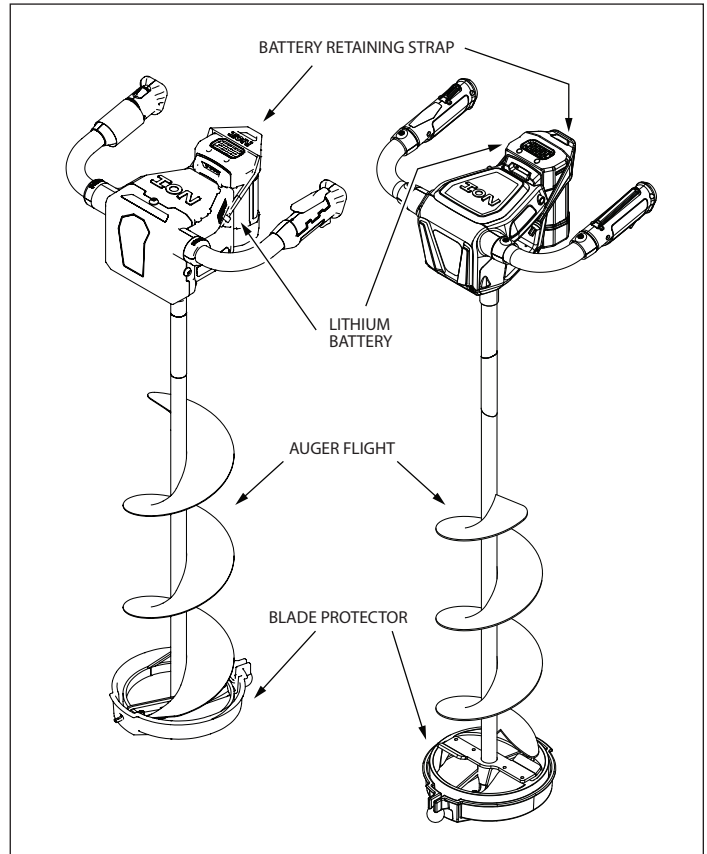
READ AND COMPLY WITH ENTIRE OPERATING AND MAINTENANCE INSTRUCTIONS FOR THIS MACHINE, IN ADDITION TO ALL SAFETY INSTRUCTIONS. FAILURE TO FOLLOW AND/OR COMPLY WITH THESE INSTRUCTIONS COULD RESULT IN LOSS OF MACHINE CONTROL, SERIOUS PERSONAL INJURY OR DEATH TO YOU AND/OR BYSTANDERS, AND EQUIPMENT AND PROPERTY DAMAGE. OPERATE THE MACHINE ACCORDING TO THE SAFETY INSTRUCTIONS OUTLINED HERE AND INSERTED THROUGHOUT THE TEXT. ANYONE WHO USES THIS MACHINE MUST READ THE INSTRUCTIONS AND BE FAMILIAR WITH THE CONTROLS.

Important Safety Precautions

- The ice blades are very sharp. Use extreme caution when drilling a hole or replacing the blades. Put the blade guard on after each use.
- Always keep hands, feet, hair, drawstrings, scarves, hats and loose clothing away from any moving parts on the unit.
- Do not allow children to operate this unit. Do not allow adults to operate the unit without proper instruction.
- Do not operate any power equipment under the influence of alcohol or drugs.
- Keep all screws, nuts and bolts tight.
- The battery must be removed before any repairs are attempted.
- If the unit becomes stuck in a hole, remove the battery before attempting to remove the unit manually.
- DO NOT use this product for other than its intended purpose.
- DO NOT use attachments other than those available from ION®.
- DO NOT alter this product in any manner; doing so is dangerous and will void the warranty.
- DO NOT continue to use this product in the event of mechanical failure.
- This product produces considerable torque that is felt by the operator. Make sure your feet are firmly planted and that the handles are held firmly while operating the auger.
- During operation, the unit could stop. If this happens, release the operating trigger. Reposition your feet and grip the handles tightly. Then squeeze operating trigger and lift the unit gently.
- When drilling ice holes, do not push down on the unit. If auger begins to drill slowly, blades may need to be sharpened or replaced.
- DO NOT discard the battery into trash can. Discard the battery according to your local, state, federal or country's regulations.

! IMPORTANT

CHARGERS COME PACKAGED SEPARATELY IN THE AUGER CARTON. BATTERY MUST BE FULLY CHARGED BEFORE FIRST USE.



UNPACKING AND ASSEMBLY

To Assemble the Auger to the Powerhead

1. Remove the hex wrench that is included in your parts bag.
2. Insert the hex wrench into the bolt at the top of the auger. Remove the bolt by turning counter-clockwise.
3. Remove the protective plastic cap from the driveshaft. Insert the driveshaft of the powerhead into the collar of the auger assembly. **SEE FIGURE 1**
4. Align the hole in the auger shaft with the hole in the powerhead shaft. Tighten firmly, turning clockwise. There may be some wiggle in the connection; this is normal. If the connection is too tight, disassembly may be difficult.

To Charge the Battery for First Use

1. Connect the charger to standard 110 or 240-volt outlet; a red light should appear on the charger. Always connect charger to standard 110 or 240-volt wall outlet before inserting battery. **SEE FIGURE 2**
2. Charge the battery until the light on the charger turns solid green.
3. To disconnect the battery, remove the plug from the wall outlet then disconnect the battery from charger.

NOTE: Do not leave the battery on the charger after the charge is complete. Unplug the charger from the wall and remove the battery.

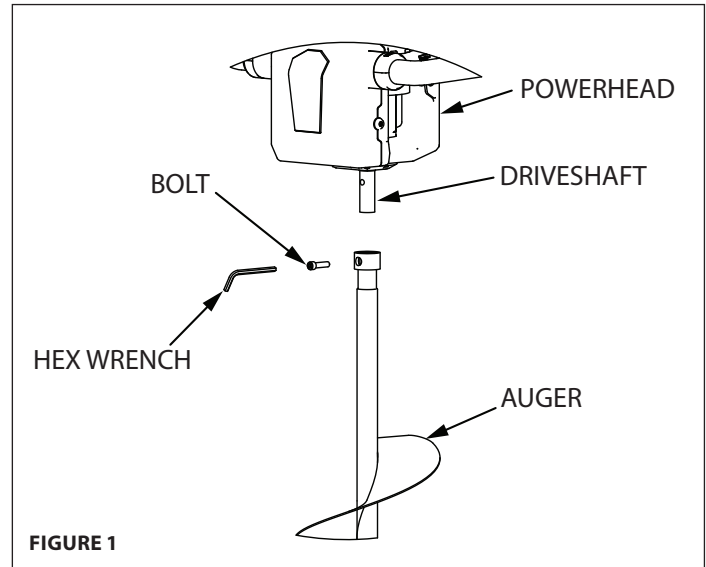


FIGURE 1

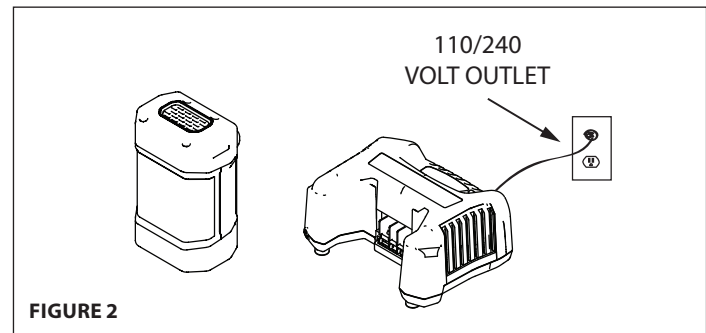


FIGURE 2

! IMPORTANT

DO NOT LEAVE BATTERY ON POWERHEAD WHEN AUGER IS NOT IN USE. ALWAYS DETACH BATTERY WHEN NOT USING THE ICE AUGER.

To Install the Battery

1. Slide the battery onto the powerhead until it is fully seated.
2. Pull the battery retaining strap over the battery to keep the battery securely on the powerhead.

NOTE: This cannot be done before the battery is installed. The battery must be inserted onto the powerhead before placing the retaining strap over it.

! IMPORTANT

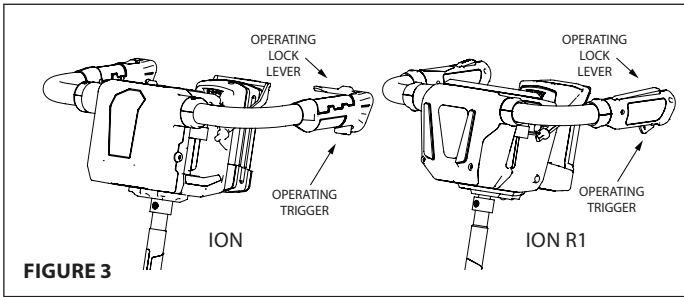
BATTERY MUST BE FULLY CHARGED BEFORE FIRST USE.

OPERATION

The ION is powered using the 36-volt battery supplied with the unit.

1. Make sure your footing is secure and that you have the unit in the vertical position firmly in your hands.
2. Depress the operating lock lever, then squeeze the operating trigger. Following a two-second safety delay, the auger will then start drilling. **SEE FIGURE 3**
3. To stop the auger, release the operating trigger.
4. When the auger is not in use, remove the battery.
5. For ION R1, follow the same instructions above. Your LIGHT FUNCTION is connected to the activation of the operating trigger.

NOTE: If you are planning to use the battery multiple times in a single outing, it is ideal to remove the battery and place in a warm location. This is especially important in cold weather conditions.



Reverse Switch Operation

To use reverse operation function to flush hole of unwanted debris do as follows: **SEE FIGURE 4**

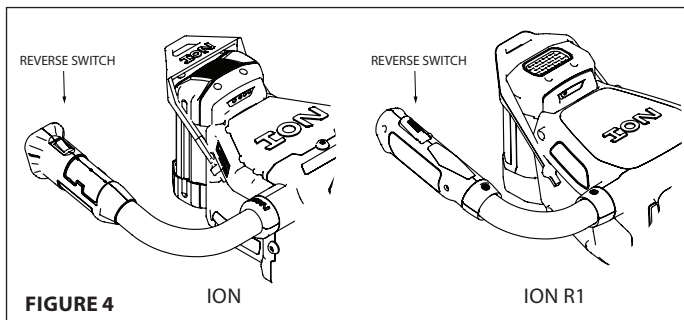
1. To activate reverse function, depress the reverse switch and then depress the operating lock and operating trigger at the same time.
2. To stop auger release the operating trigger.

To Flush a hole, do as follows:

1. Place the auger half way down the hole with the auger starting in the hole. The top of the auger flight must be above the water and slush.
2. Activate reverse function and continue to lower the auger into the hole. The lower ring of the auger must exit the bottom of the hole.
3. After a few seconds of reverse operation, release the operating trigger.

NOTE: KEEP POWERHEAD CLEAR OF WATER. Water will come back up the hole and overflow.

4. Repeat the above steps three times to clear the hole.



Battery Charging and Monitoring

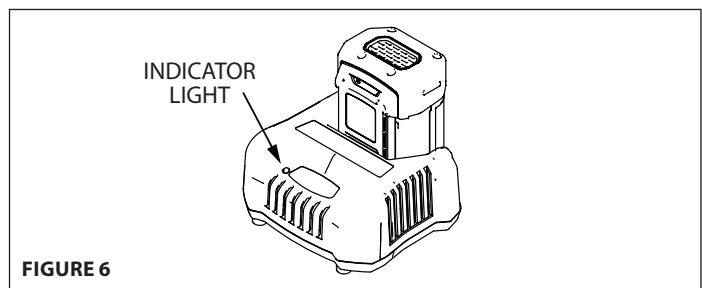
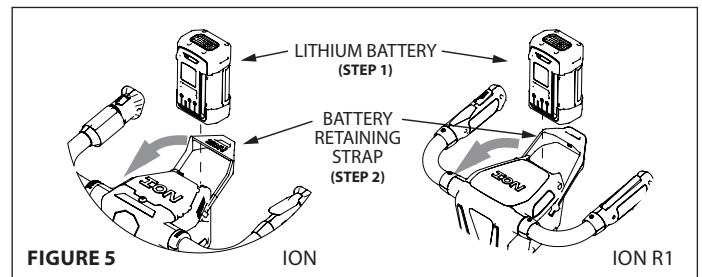
1. Remove the battery retaining strap by pulling it towards the motor. **SEE FIGURE 5**
2. Remove the battery by sliding it off of the powerhead.
3. Plug the charger into a 110/240AC outlet.
4. Slide the battery into the charger.
5. The charge indicator light should blink green. **SEE FIGURE 6**
6. When indicator light is lit solid green, the battery is fully charged.
7. Once the battery has been fully charged, unplug the charger from the wall.
8. Remove the battery from the charger.

NOTE: Recharging the battery after each use is best for the life of the battery.

9. Place the battery back onto the powerhead when ready to use.

NOTE: Battery should be off of the powerhead when not in use.

10. Pull the battery retaining strap back over battery.



Charger Indicator Lights and Meaning

ACTION/COLOR	MEANING
Flashing green	Battery charging
Solid green	Battery fully-charged
Flashing red	Battery too hot
Solid red	Battery too cold

MAINTENANCE AND STORAGE

Read the maintenance schedule and observe these recommendations to extend the life of your electric auger.

Good maintenance is essential for safe, economical, and trouble-free operation. To help you properly care for your powerhead, the following pages include a maintenance schedule, routine inspection procedures, and simple maintenance procedures using basic hand tools. Other service tasks that are more difficult, or require special tools, are best handled by professionals and are normally performed by a technician or other qualified mechanic.

The maintenance schedule applies to normal operating conditions. If you operate your powerhead under unusual conditions, such as sustained high-load, or use in unusually wet conditions, consult ION® customer service for recommendations applicable to your individual needs and use.

Maintenance and Schedule

MAINTENANCE ITEM		Before each day's use	Every 500 complete charges	Yearly
Check bolts and nuts		X		
Battery	Charge	X		
	Replace		X	
Sharpen/Replace Blades				X

Transporting Your Ice Auger

- Remove the battery if transporting the auger.

Long-Term Storage

If your ice auger will not be run for more than one month, prepare it for long-term storage.

1. Charge the battery and leave it off of the unit. DO NOT leave the battery on the charger. Store the battery in temperatures between 40° F- 120° F.
2. Remove the auger from the powerhead and apply a thin layer of grease to the driveshaft. **SEE FIGURE 7**
3. Remove all debris from auger and powerhead.
4. Attach the blade protector to bottom of auger.
5. Keep in a dry, moisture-free area.



IMPORTANT

CONNECT THE BATTERY TO THE CHARGER EVERY THREE MONTHS TO ENSURE THAT IT MAINTAINS A FULL CHARGE DURING EXTENDED STORAGE.

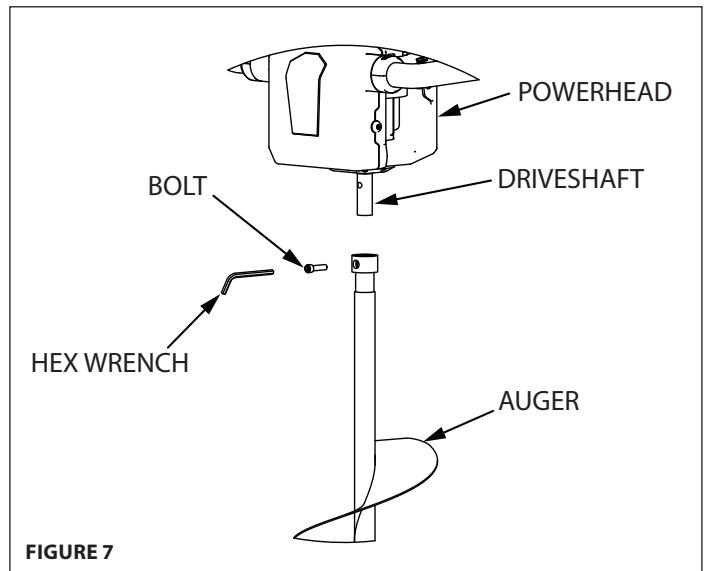


FIGURE 7

SERVICE AND REPAIR

Service Information

At Ardisam, we build quality and durability into the design of our products; but no amount of careful design by us, and careful maintenance by you, can guarantee a repair-free life for your auger. Most repairs will be minor, and easily fixed by following the suggestions in the troubleshooting guide in this section.

The guide will help you pinpoint the causes of common problems and identify remedies.

For more complicated repairs, contact ION customer service. A parts catalog is included with the product separately.

We will always be glad to answer any questions you have, or help you find suitable assistance. To order parts or inquire about warranty, call or write us at the address found below.

Ordering Repair Parts

Parts may be obtained from the store where your auger was purchased or direct from the factory. To order from the factory, call, e-mail, or order online at www.ioniceaugers.com:

ION® Ice Augers,
A Division of Ardisam, Inc.
1-800-345-6007
E-mail: info@ioniceaugers.com

Please include the part numbers, part description, quantity, model number and serial number.

ION TROUBLESHOOTING GUIDE

NO.	PROBLEM	POSSIBLE CAUSE	REMEDY/ACTION
1	Battery Charger LED does not indicate activity when the charger and battery are plugged in.	Battery charger is defective.	Replace battery charger.
2	Battery Charger LED blinks RED or GREEN or is solid GREEN when the battery is not attached to it.	Battery charger is defective.	Replace battery charger.
3	Drilling lights come on, powerhead will not start, and battery indicates (3) LEDs. ("ON" switch has been held down for more than 5 seconds, ambient temperature is very cold)	Battery core temperature is too cold. (Extremely)	Remove the battery from the unit and place it in a warm location (inside a jacket pocket, vehicle or a small cooler with a warmer), for up to 60 minutes.
4	Drilling lights come on, powerhead continuously runs–stops–runs with no load on it, will not cut ice. (Battery indicates (3) LEDs)	Battery core temperature is too cold. (Extremely)	Remove the battery from the unit and place it in a warm location (inside a jacket pocket, vehicle or a small cooler with a warmer), for up to 60 minutes.
5	Drilling lights come on, powerhead runs smoothly with no load on it, and continuously runs–stops–runs when cutting ice. (Battery indicates (3) LEDs)	Battery core temperature is too cold. (Moderately)	Remove the battery from the unit and place it in a warm location (inside a jacket pocket, vehicle or a small cooler with a warmer), for up to 45 minutes.
6	Drilling lights come on, powerhead runs smoothly with no load on it, and turns slowly with low power when cutting ice. (Battery indicates (3) LEDs)	Battery core temperature is too cold. (Slightly)	Remove the battery from the unit and place it in a warm location (inside a jacket pocket, vehicle or a small cooler with a warmer), for up to 30 minutes.
7	Drilling lights come on, powerhead runs smoothly with no load on it, and turns slowly with low power until it stops cutting ice. (Battery indicates (2) LEDs)	Battery core temperature is too cold for the existing battery voltage. (Slightly with low voltage)	Remove the battery from the unit and place in a warm location. Completely re-charge the battery.
8	Drilling lights come on, powerhead starts, then stops while cutting ice; will start again ONLY if switch is activated. (Battery indicates (1) LED)	Battery is low on power.	Charge the battery.
9	Battery LED's do not illuminate.	Battery is dead or defective.	Charge or replace the battery.
10	Drilling lights do <u>NOT</u> come on, powerhead will <u>NOT</u> start, and the Battery LEDs do <u>NOT</u> illuminate.	Battery is dead or defective.	Charge or replace the battery.

NO.	PROBLEM	POSSIBLE CAUSE	REMEDY/ACTION
11	Battery charger indicates that the charging battery is "too cold" (solid red LED) when the battery is at room temperature.	Battery temperature sensor malfunction.	Replace battery.
12	Drilling lights come on, powerhead will not turn, all (3) battery LEDs indicate a full charge. Unit WILL run with a different battery.	Battery temperature sensor malfunction.	Replace battery.
13	Drilling lights come on, powerhead runs smoothly with no load on it, and turns normally with full power until it stops cutting ice. Hole count is significantly reduced from normal operation. (Battery indicates (2) or (3) LEDs)	Battery will charge normally, and measures for good voltage, but has no capacity.	Replace battery.
14	Drilling lights come on, powerhead will not turn, all (3) battery LEDs indicate a full charge.	Power switch is not depressed completely.	Hold the switch for five seconds.
15	Drilling lights do not come on, but powerhead functions normally.	LED system has failed or Controller is not sending power to the LED system.	Install LED Light Kit or replace Controller.
16	Drilling lights stay ON all of the time; must remove battery to turn them off.	LED board has failed.	Install LED Light Kit or replace Controller.
17	Drilling lights come on, powerhead makes a "clicking noise" from the top of the motor cover, and will not turn. Battery LEDs indicate a full charge. ("ON" switch has been held down for more than 5 seconds, battery core temperature is not frozen). <u>WITH BATTERY DISCONNECTED</u> , transmission <u>CAN</u> be turned over by hand, in either direction without stopping.	ION Motor is trying to turn, but cannot due to low or incomplete voltage to the motor.	Remove access panel and Controller. Check connection between the Controller and the Motor connector. If all connections are good, replace the Controller.
18	Drilling lights come on, powerhead makes a "clicking noise" from the top of the motor cover, and will not turn. Battery LEDs indicate a full charge. ("ON" switch has been held down for more than 5 seconds, battery core temperature is not frozen). <u>WITH BATTERY DISCONNECTED</u> , transmission <u>CANNOT</u> be turned over by hand in either direction without stopping.	ION Motor is trying to turn, but cannot due to transmission problems.	Replace Motor/Transmission assembly.
19	Hole count has drastically and quickly reduced. Hole count cannot be increased by switching batteries or even powerheads. (The blades are new)	Auger bit is damaged or bent.	Replace ice auger bit.
20	Auger jumps on the ice and will not cut.	Blades are dull or damaged or re-sharpened incorrectly.	Replace with new blades.
21	Auger spins at normal speed, but cuts slowly through the ice.	Blades are dull or damaged or re-sharpened incorrectly.	Replace with new blades.
22	Powerhead functions normally, but hole count is drastically reduced. Battery indicates a full charge. Drilling suddenly requires downward force to be applied to the handlebars in order to cut the ice.	Blades are dull or damaged or re-sharpened incorrectly.	Replace with new blades.
23	Powerhead with Reverse, only runs in forward.	Reverse switch is faulty (open circuit) or has become unplugged inside the handlebar control, or Controller is faulty.	Remove handlebar control, replace Reverse switch or re-connect wiring. (If switch and wiring is correct, replace Controller).
24	Powerhead with Reverse, only runs in reverse.	Reverse switch is faulty (closed circuit) or wiring has become loose on switch and is touching each other, or Controller is faulty.	Remove handlebar control, replace Reverse switch or re-connect wiring. (If switch and wiring is correct, replace Controller).
<p>If above remedies fail, contact ION Customer Service at 800-345-6007 or info@ioniceaugers.com to locate an authorized Service Center near you.</p>			



ION® ELECTRIC ICE AUGER

Warranty Terms and Conditions

PRODUCT WARRANTY: 3-YEAR LIMITED WARRANTY*

Ardisam, Inc., warrants this ION Electric Ice Auger under a three-year limited warranty to be free from defects in materials or workmanship or both for a period not exceeding thirty-six consecutive months from the date of original purchase by the first retail consumer or commercial end user. "Consumer use" means personal recreational use by a retail consumer. "Commercial use" or "commercial application" means all other uses, including use for commercial, income producing or rental purposes. Once a product has experienced commercial use, it shall thereafter be considered as a commercial use product for purposes of this warranty. This warranty applies to the original owner that provides a proof of purchase. The warranty is not transferable. The warranty period begins on the date of purchase by the first retail consumer or commercial end user, and continues for the thirty-six month consecutive period thereafter. Any unit used in a commercial application is covered for a period of 90 days after purchase. For the warranty to be valid, the product must be registered online at www.ioniceaugers.com, or the warranty card must be filled out and received by Ardisam, Inc., within 30 days of purchase. Ardisam, Inc. shall not be obligated to ship any repair or replacement product to any location outside of the United States of America or Canada.

BATTERY WARRANTY: 3-YEAR LIMITED WARRANTY*

Ardisam, Inc., warrants this ION battery under a three-year limited warranty to be free from defects in materials or workmanship or both for a period not exceeding thirty-six consecutive months from the date of original purchase by the first retail consumer or commercial end user. "Consumer use" means personal recreational use by a retail consumer. "Commercial use" or "commercial application" means all other uses, including use for commercial, income producing or rental purposes. Once a product has experienced commercial use, it shall thereafter be considered as a commercial product for purposes of this warranty. This warranty applies to the original owner that provides a proof of purchase. The warranty is not transferable. The warranty period begins on the date of purchase by the first retail consumer or commercial end user, and continues for the thirty-six month consecutive period thereafter. Any unit used in a commercial application is covered for a period of 90 days after purchase. For the warranty to be valid, the product must be registered online at www.ioniceaugers.com, or the warranty card must be filled out and received by Ardisam, Inc., within 30 days of purchase. Ardisam, Inc. shall not be obligated to ship any repair or replacement product to any location outside of the United States of America or Canada.

This warranty applies only to products which have not been subjected to negligent use, misuse, uses other than those indicated in the product's owner's manual, alteration, accident, use of unauthorized parts, failure to perform periodic maintenance as specified in product's owner's manual, normal wear and tear, use of unauthorized parts or repairs performed at non-authorized service centers. There is no other expressed warranty. Implied warranties, including those of merchantability and fitness for a particular purpose, are limited to one year from purchase, or to the extent permitted by law. All other implied warranties are excluded. Liability for incidental or consequential damages are excluded to the extent exclusion is permitted by law. Ardisam, Inc. does not assume, and does not authorize any other person to assume for us, any liability in connection with the sale of our products. **To obtain warranty service, you must have prior approval by calling our customer service department at 1-800-345-6007. If you choose to ship your product to Ardisam for warranty repair, you must first have prior approval from Ardisam by calling our customer service department for a return material authorization number (RMA#). Under these circumstances, all items must be shipped prepaid. Ardisam will at no charge, repair or replace, at their discretion, any defective part which satisfies all conditions stated above. Ardisam retains the right to change models, specifications and price without notice. Ardisam, Inc. shall not be obligated to ship any repair or replacement product to any location outside of the United States of America or Canada.*



ION™ ICE FISHING

A Division of Ardisam, Inc.

1160 8th Avenue, PO Box 666, Cumberland, WI 54829

P. 800-345-6007 | F. 715-822-2223 | E-mail: info@ioniceaugers.com



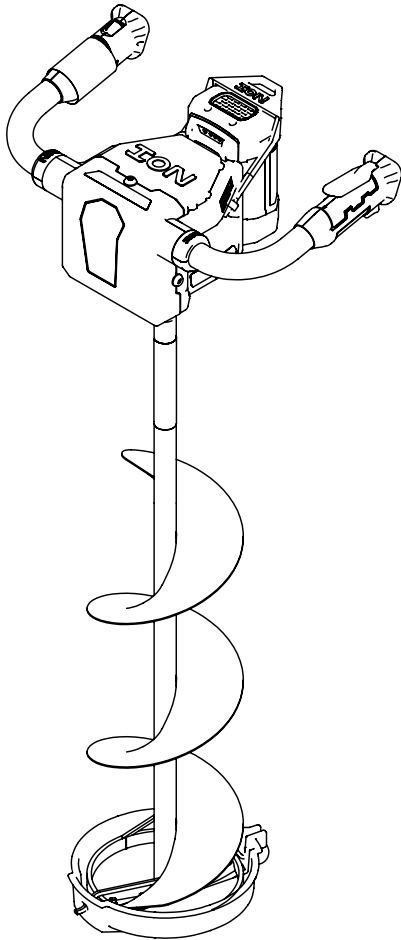
ION™

ICE FISHING

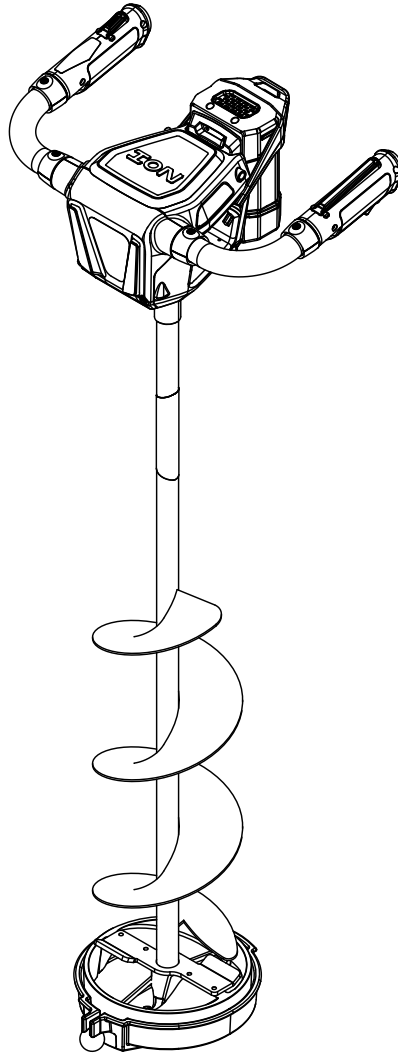
Manuel de l'opérateur

ION® & ION® R1

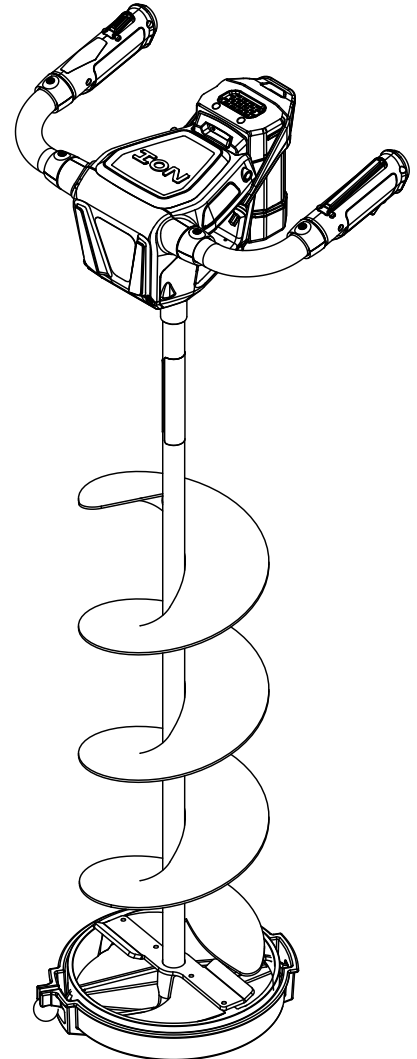
TARIÈRES À GLACE
ÉLECTRIQUE



#33405



#39250



#39300

Pièces détachées en ligne à
www.ioniceaugers.com



36961
ECN #12759
REV1 05/18/2020
©COPYRIGHT 2020 ARDISAM, INC.
TOUS DROITS RÉSERVÉS.

INTRODUCTION

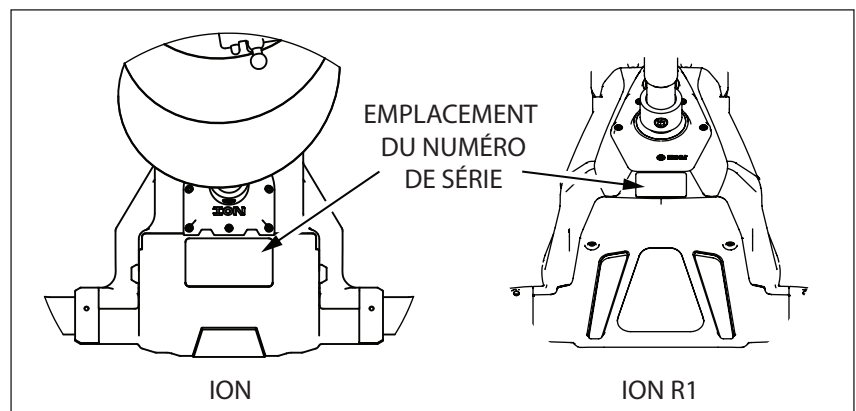
Merci d'avoir acheté une tarière à glace électrique haute performance ION® d'Ardisam, Inc. Nous nous sommes attachés à ce que cette tarière à glace réponde aux plus hautes normes d'utilisation et de durabilité. Moyennant des soins corrects, elle offrira de nombreuses années de service. Conservez ces instructions pour toute consultation ultérieure. Ardisam, Inc se réserve le droit de changer ou modifier ce manuel sans préavis.

SOMMAIRE

Introduction / Enregistrement et service après-vente.....14
 Mesures de précaution importantes..... 15-16
 Déballage et Assemblage17
 Utilisation 17-18
 Entretien et entreposage.....19
 Service Après-vente et Réparations.....20
 Dépannage 20-21
 Garantie22
 Remarques.....23

ENREGISTREMENT ET SERVICE APRÈS-VENTE

Consigner le numéro de modèle et le numéro de série du produit dans l'espace prévu pour y accéder facilement lors des commandes de pièces détachées ou demandes d'assistance technique. L'enregistrement de la garantie peut se faire en ligne à www.ioniceaugers.com ou par courrier à : ION®, 1160 Eighth Avenue, Cumberland, WI 54829, États-Unis. Service après-vente au (800) 345-6007 du lundi au vendredi de 8h00 à 17h00 HNC.



RENSEIGNEMENTS SUR LE PROPRIÉTAIRE		
Lieu d'achat :		
Adresse du lieu d'achat :		
Ville:	État/Province:	Code Postal:
Numéro de modèle:		Numéro de série: (Trouve à côté de l'étiquette d'avertissement)
Date d'achat:		
Notes:		

Le présent manuel peut contenir des informations concernant plusieurs modèles. Lire ce manuel et le conserver pour toute consultation ultérieure. Ce manuel contient des renseignements importants sur la SÉCURITÉ, L'ASSEMBLAGE, L'UTILISATION et L'ENTRETIEN. Le propriétaire doit veiller à ce que toute la documentation pertinente accompagne le produit. Cette documentation comprend le MANUEL, la NOMENCLATURE DES PIÈCES et les GARANTIES. Le présent manuel doit rester avec la machine, notamment si elle est revendue.

AVERTISSEMENTS ET MESURES DE PRÉCAUTION

Responsabilité De L'utilisateur

L'utilisation correcte, sûre et efficace de ce produit relève de la responsabilité du propriétaire.

- Lire et suivre toutes les instructions de sécurité.
- Entretien cette machine conformément aux instructions et au calendrier figurant dans le présent manuel de l'utilisateur.
- S'assurer que quiconque utilise la machine connaît et comprend toutes les commandes et mesures de précaution.
- Ne pas éliminer la batterie avec les ordures ménagères. Éliminer la batterie conformément aux réglementations locales, provinciales, fédérales, ou nationales en vigueur.

Messages De Sécurité

Ce manuel contient des messages spéciaux attirant l'attention sur des problèmes potentiels de sécurité, ainsi que des informations utiles sur le fonctionnement et l'entretien. Veiller à lire toutes ces informations avec attention pour éviter les blessures et les dommages à la machine.

REMARQUE : Des information générales sont fournies à travers ce manuel pouvant aider l'opérateur dans l'utilisation ou l'entretien du produit.



CE symbole signale des instructions de sécurité importantes qui doivent être respectées pour ne pas mettre en danger la sécurité des personnes.

AVANT DE FAIRE FONCTIONNER LE MOTEUR :

Veiller à lire cette section avec attention. Lire l'ensemble des instructions d'utilisation et d'entretien. Pour écarter les risques de blessure ou de mort, veiller à respecter les instructions. Utiliser la machine conformément aux instructions de sécurité fournies ici et tout au long du manuel. Quiconque utilise cette machine doit lire les instructions et être familiarisé avec les commandes.



AVERTISSEMENT

INDIQUE UN DANGER QUI, S'IL N'EST PAS ÉVITÉ, PEUT PROVOQUER LA MORT OU DES BLESSURES CORPORELLES ET/OU DÉGÂTS MATÉRIELS GRAVES.



ATTENTION

INDIQUE UN RISQUE DE BLESSURES OU DE DOMMAGES AU MATÉRIEL SI LES INSTRUCTIONS DE SÉCURITÉ QUI SUIVENT CE MOT-INDICATEUR NE SONT PAS RESPECTÉES.



IMPORTANT

SIGNALE DES INFORMATIONS UTILES CONCERNANT L'ASSEMBLAGE, L'UTILISATION OU L'ENTRETIEN DU MATÉRIEL.



AVERTISSEMENT

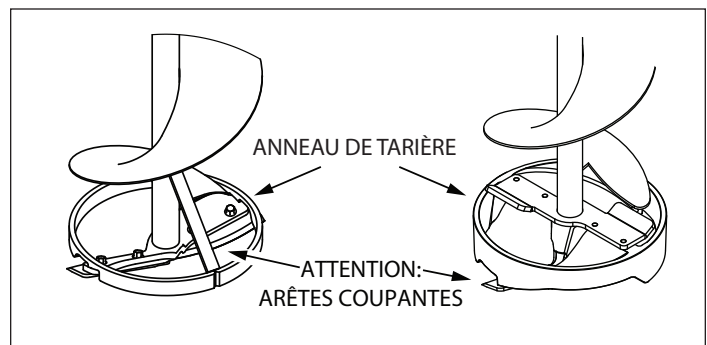
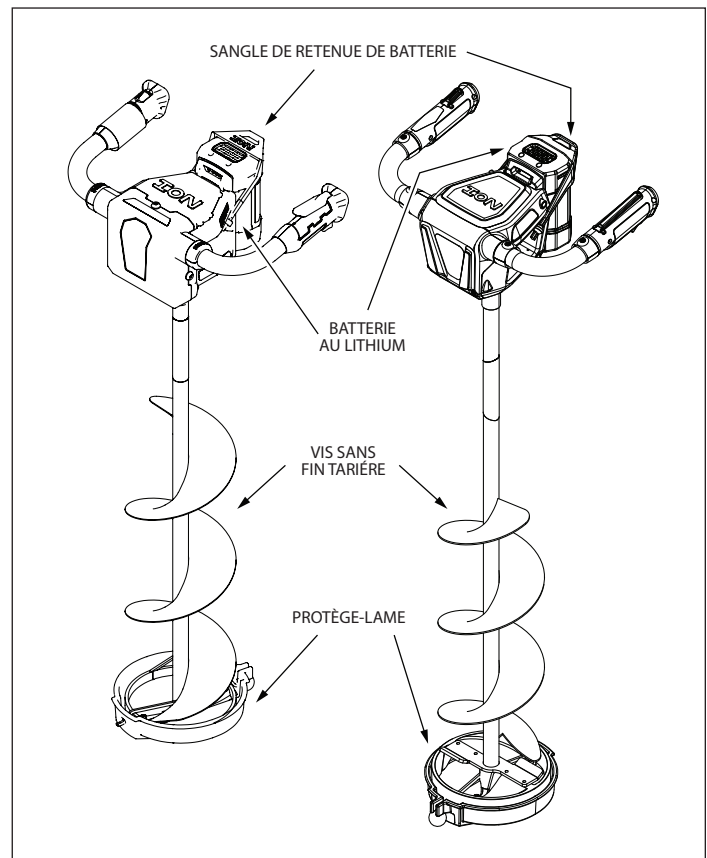
VEILLER À LIRE ET COMPRENDRE L'ENSEMBLE DES INSTRUCTIONS D'UTILISATION ET D'ENTRETIEN DE CETTE MACHINE, EN PLUS DE TOUTES LES INSTRUCTIONS DE SÉCURITÉ. LE NON-RESPECT DE CES INSTRUCTIONS PEUT ENTRAÎNER UNE PERTE DE CONTRÔLE DE LA MACHINE, DES BLESSURES GRAVES OU LA MORT DE L'OPÉRATEUR ET/OU D'AUTRES PERSONNES PRÉSENTES ET DES DOMMAGES MATÉRIELS. UTILISER LA MACHINE CONFORMÉMENT AUX INSTRUCTIONS DE SÉCURITÉ FOURNIES ICI ET TOUT AU LONG DU MANUEL. QUICONQUE UTILISE CETTE MACHINE DOIT LIRE LES INSTRUCTIONS ET ÊTRE FAMILIARISÉ AVEC LES COMMANDES.

AVERTISSEMENTS ET MESURES DE PRÉCAUTION

- Les couteaux à glace sont très tranchants. Faire preuve de beaucoup de précaution pour forer la glace ou changer les couteaux. Mettre le protège-lame en place après chaque utilisation.
- Toujours tenir les mains, pieds, cheveux, lacets de serrage, écharpes, bonnets et vêtements amples à l'écart de toute pièce en mouvement de la machine.
- Ne pas laisser d'enfant utiliser cette machine. Ne pas laisser d'adulte utiliser cette machine sans instruction appropriée.
- Ne pas utiliser de machine à moteur alors qu'on est sous l'emprise d'alcool ou de drogue.
- Maintenir tous les boulons, vis et écrous bien serrés.
- La batterie doit être retirée avant toute réparation.
- Si la machine se coince dans un forage, retirer la batterie avant de tenter de la sortir manuellement.
- **NE PAS** utiliser ce produit à des fins autres que celles prévues.
- **NE PAS** utiliser d'accessoires autres que ceux proposés par ION®.
- **NE PAS** modifier ce produit d'une quelconque façon ; cela est dangereux et a pour effet d'annuler la garantie.
- **NE PAS** continuer à utiliser ce produit en cas de défaillance mécanique.
- Ce produit développe un couple considérable qui est ressenti par l'utilisateur. Veiller à avoir les pieds solidement ancrés et à tenir fermement les poignées durant l'utilisation de la tarière.
- Durant l'utilisation, il est possible que la machine cale. Si cela se produit, relâcher la gâchette de commande. Repositionner les pieds et serrer fermement les poignées. Enfoncer ensuite la gâchette et soulever délicatement la machine.
- Durant le forage de la glace, ne pas pousser la machine vers le bas. Si la tarière commence à forer plus lentement, il peut être nécessaire d'affûter ou de changer les couteaux.
- Ne pas éliminer la batterie avec les ordures ménagères. Éliminer la batterie conformément aux réglementations locales, provinciales, fédérales ou nationales en vigueur.

! IMPORTANT

LE CHARGEUR EST CONDITIONNÉ SÉPARÉMENT DANS LE CARTON DE LA TARIÈRE. LA BATTERIE DOIT ÊTRE COMPLÈTEMENT CHARGÉE AVANT LA PREMIÈRE UTILISATION.



DÉBALLAGE ET ASSEMBLAGE POUR MONTER LA TARIÈRE SUR LE BLOC MOTEUR :

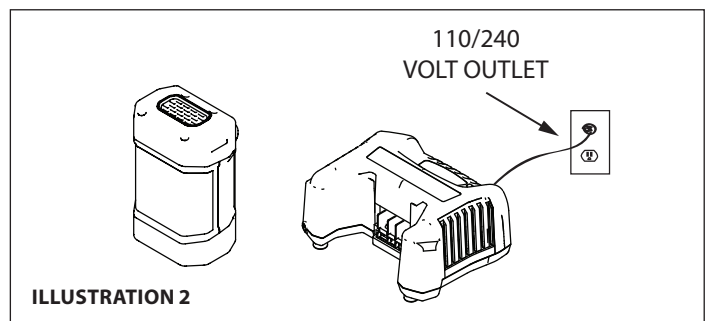
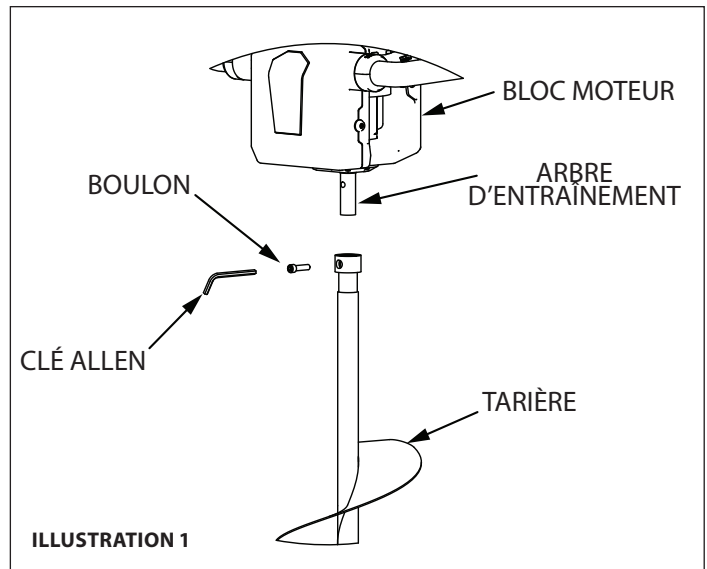
1. Sortir la clé Allen du sachet de pièces.
2. Introduire la clé Allen dans la vis au sommet de la tarière. Retirer la vis en la tournant dans le sens inverse des aiguilles d'une montre.
3. Déposer le capuchon protecteur en plastique de l'arbre d'entraînement. Enfiler l'arbre d'entraînement du bloc moteur dans collier de la tarière. VOIR ILLUSTRATION 1
4. Aligner le trou de l'arbre de tarière avec celui de l'arbre de bloc moteur. Visser fermement le bouton en tournant dans le sens des aiguilles d'une montre. Il peut y avoir un peu de jeu dans le raccord; cela est normal. Si le raccord est trop serré, le démontage peut s'avérer difficile.

Pour Charger La Batterie Avant La Première Utilisation

1. Brancher le chargeur sur une prise de courant standard de 110 ou 240 V ; un voyant rouge doit s'allumer sur le chargeur. Toujours brancher le chargeur sur une prise murale de 110 ou 240 V avant d'y placer la batterie. VOIR FIGURE 2.

2. Charger la batterie jusqu'à ce que le voyant vert du chargeur soit allumé en continu.
3. Pour débrancher la batterie, débrancher la fiche de la prise murale puis retirer la batterie du chargeur.

REMARQUE : Ne pas laisser la batterie sur le chargeur une fois que la charge est terminée. Débrancher le chargeur de la prise murale et retirer la batterie.



⚠ IMPORTANT

NE PAS LAISSER LA BATTERIE SUR LE BLOC MOTEUR LORSQUE LA TARIÈRE N'EST PAS UTILISÉE. TOUJOURS DÉTACHER LA BATTERIE LORSQUE LA TARIÈRE À GLACE EST INUTILISÉE

Pour Mettre En Place La Batterie

1. Enfiler la batterie à fond dans le bloc moteur.
2. Tirer la sangle de retenue en caoutchouc sur la sangle de retenue de batterie solidement dans le bloc moteur.

REMARQUE : Cela ne peut pas être fait avant la mise en place de la batterie. La batterie doit être montée sur le bloc moteur avant de placer la sangle par-dessus.

⚠ IMPORTANT

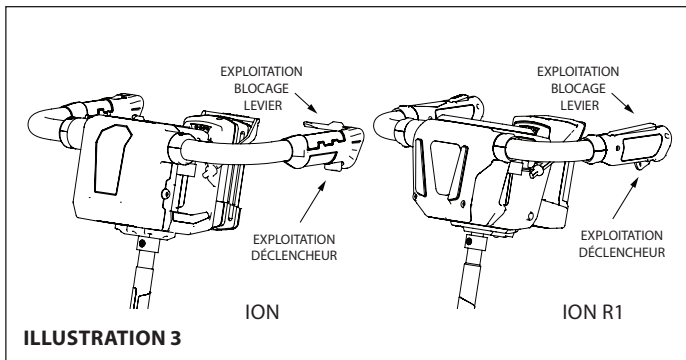
LA BATTERIE DOIT ÊTRE COMPLÈTEMENT CHARGÉE AVANT LA PREMIÈRE UTILISATION.

UTILISATION

La tarière ION® est alimentée par la batterie 36 V fournie avec la machine.

1. Veiller à avoir les pieds solidement campés sur le sol et à tenir fermement la machine entre les mains en position verticale.
2. Appuyer sur le bouton de blocage puis serrer la gâchette de commande. La tarière commence à forer au bout d'un délai de sécurité de deux secondes. VOIR ILLUSTRATION 3
3. Pour arrêter la tarière, relâcher la gâchette de commande.
4. Lorsque la tarière n'est pas utilisée, retirer la batterie.
5. Pour l'ION R1, suivre les instructions ci-dessus. La fonction ÉCLAIRAGE est liée à l'activation de la gâchette de commande.

REMARQUE : Si la batterie doit être utilisée à plusieurs reprises au cours d'une même sortie, l'idéal est de déposer la batterie et de la placer dans un endroit chaud, en particulier par temps froid.



Fonctionnement Du Commutateur De Marche Arrière

Pour inverser la marche afin de purger le forage de tous débris indésirables : **VOIR FIGURE 4**

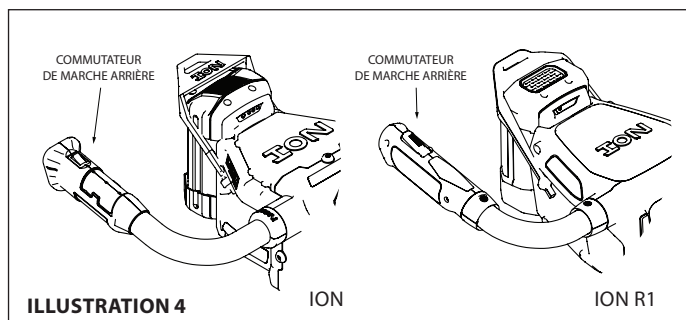
1. Pour activer la fonction de marche arrière, appuyer sur le commutateur de marche arrière puis enfoncer simultanément le levier de blocage et la gâchette de commande.
2. Pour arrêter la tarière, relâcher la gâchette de commande.

Pour purger un forage :

1. Enfoncer la tarière à moitié dans le forage en démarrant la tarière dans le forage. Le haut de la vis sans fin de tarière doit être au-dessus de l'eau et de la glace fondante.
2. Activer la fonction de marche arrière et continuer d'abaisser la tarière dans le forage. L'anneau inférieur de la tarière doit ressortir du dessous de la glace.
3. Après quelques secondes de fonctionnement en marche arrière, relâcher la gâchette de commande.

REMARQUE : GARDER LE BLOC MOTEUR À L'ÉCART DE L'EAU. L'eau remonte et déborde du forage.

4. Répéter les étapes ci-dessus trois fois pour dégager le forage.



Charge Et Contrôle De La Batterie

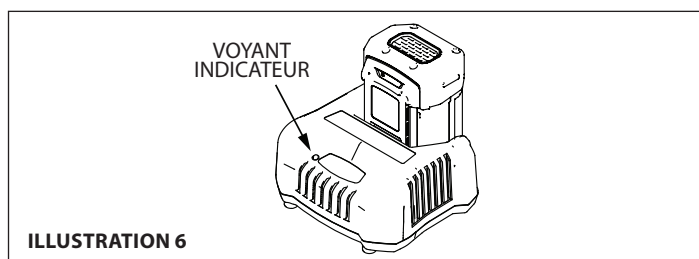
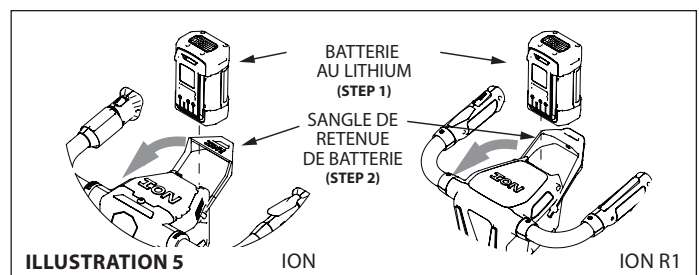
1. Dégager la sangle de retenue de batterie en caoutchouc en la tirant vers le moteur. **VOIR ILLUSTRATION 5**
2. Extraire la batterie hors du bloc moteur.
3. Brancher le chargeur sur une prise de courant réseau de 110/240 V.
4. Enfiler la batterie dans le chargeur.
5. Le voyant indicateur de charge doit clignoter en vert. **VOIR ILLUSTRATION 6**
6. Lorsque le voyant indicateur vert brille en continu, la batterie est complètement chargée.
7. Une fois que la batterie est complètement chargée, débrancher le chargeur de la prise murale.
8. Retirer la batterie du chargeur.

REMARQUE: Il est préférable de recharger la batterie après chaque utilisation pour optimiser sa durée de service.

9. Placez la batterie sur le bloc moteur lorsque vous êtes prêt à utiliser..

REMARQUE : La batterie doit être détachée du bloc moteur lorsqu'elle n'est pas utilisée.

10. Retirez la batterie de caoutchouc de retenue sangle arrière sur batterie.



Voyants Indicateurs Du Chargeur Et Signification

ACTION/COULEUR	SIGNIFICATION
Vert clignotant	Batterie en cours de charge
Vert continu	Batterie complètement chargée
Rouge clignotant	Batterie trop chaude
Rouge continu	Batterie trop froide

ENTRETIEN ET ENTREPOSAGE

Lire le calendrier d'entretien et respecter les délais préconisés pour étendre la durée de service de la tarière électrique.

Un bon entretien est indispensable à un fonctionnement sûr, économique et sans panne de la machine. Pour assurer des soins corrects du bloc moteur, les pages suivantes comportent un calendrier d'entretien, des instructions de contrôle courant et des instructions d'entretien élémentaire au moyen d'outils à mains de base.

Il est préférable de confier à des professionnels les tâches d'entretien ou de réparation plus difficiles ou nécessitant un outillage spécial et qui sont normalement effectuées par un technicien ou autre mécanicien qualifié.

Le calendrier d'entretien s'applique à des conditions normales d'utilisation. Si le bloc moteur est utilisé dans des conditions inhabituelles, notamment sous une charge élevée soutenue ou dans des conditions inhabituellement humides, obtenir des conseils relatifs à ces besoins et emplois particuliers auprès du service après-vente d'ION®.

Calendrier D'entretien

OPÉRATION D'ENTRETIEN	Avant chaque utilisation quotidienne	Toutes les 500 charges complètes	Chaque année
Contrôler les boulons et écrous	X		
Batterie	Charger	X	
	Remplacer		
Affûter/changer les couteaux			X

Transport De La Tarière À Glace

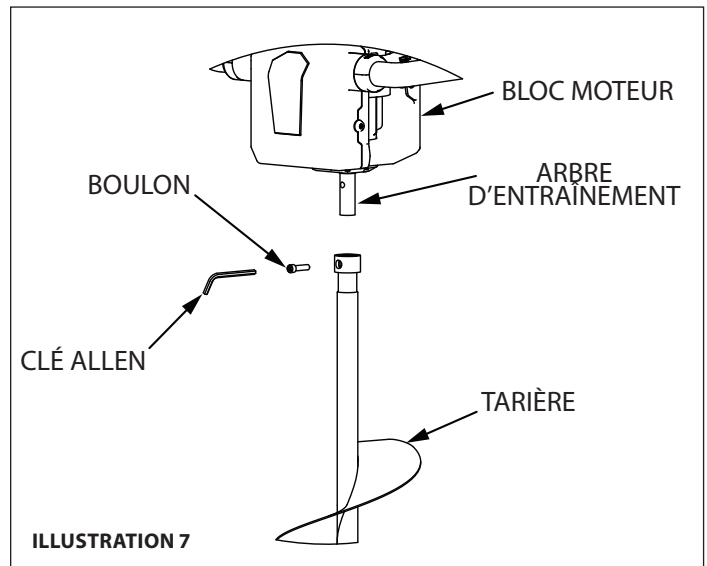
- Retirer la batterie avant de transporter la tarière.

Entreposage À Long Terme

- Charger la batterie et la laisser hors de la machine. NE PAS laisser la batterie dans le chargeur. Entreposer la batterie à des températures comprises entre 5 °C et 50 °C.
- Retirer la tarière du bloc moteur et enduire l'arbre du moteur d'une fine couche de graisse. **VOIR ILLUSTRATION 7**
- Éliminer tous débris de la tarière et du bloc moteur.
- Attacher le protège-lame au bas de la tarière.
- Conserver dans un endroit sec.

IMPORTANT

PLACER LA BATTERIE DANS LE CHARGEUR TOUS LES TROIS MOIS POUR LA MAINTENIR À PLEINE CHARGE DURANT UN ENTREPOSAGE PROLONGÉ.



SERVICE APRÈS-VENTE ET RÉPARATION

Informations sur le service après-vente

Chez Ardisam, nous intégrons la qualité et la durabilité dans la conception de nos produits; mais toute la conception soignée et tout l'entretien attentionné ne sauraient garantir une existence de la tarière totalement exempte de réparation. La majorité des problèmes sont mineurs et aisément résolus en suivant les indications du guide de dépannage qui suit.

Ce guide aide à diagnostiquer les causes des problèmes les plus courants et à identifier leurs solutions.

Pour les réparations plus compliquées, s'adresser au service après-vente d'ION®. Pour commander des pièces ou vous renseigner sur la garantie, appeler ou nous écrire à l'adresse indiquée dans le panneau suivant.

Nous sommes toujours heureux de répondre à toute question ou d'aider à trouver l'assistance qui convient. Pour commander des pièces ou se renseigner sur la garantie, communiquer avec nous par téléphone ou par courrier à l'adresse indiquée ci-dessous.

COMMANDE DE PIÈCES DE RECHANGE

Les pièces peuvent s'obtenir directement auprès de l'usine. Pour passer une commande, appeler, écrire ou commander en ligne à www.ioniceaugers.com:

**ION® Ice Augers,
A Division of Ardisam, Inc.
1-800-345-6007
Courriel: info@ioniceaugers.com**

Veiller à inclure la référence, la description, la quantité, le numéro de modèle et le numéro de série des pièces.

GUIDE DE DÉPANNAGE D'ION

NO.	PROBLÈME	CAUSE POSSIBLE	SOLUTION / MESURE CORRECTIVE
1	Le voyant du chargeur de batterie n'indique aucune activité alors que le chargeur et la batterie sont branchés.	Chargeur de batterie défectueux.	Changer le chargeur de batterie.
2	Le voyant du chargeur de batterie clignote en ROUGE ou en VERT ou est allumé en VERT continu alors que la batterie n'y est pas raccordée.	Chargeur de batterie défectueux.	Changer le chargeur de batterie.
3	Les lampes de forage s'allument, le bloc moteur ne démarre pas et la batterie a trois (3) voyants indicateurs allumés. (La gâchette de commande a été actionnée pendant plus de 5 secondes, la température ambiante est très basse)	Le cœur de la batterie est trop froid. (Extrêmement)	Détacher la batterie de la machine et la placer dans un endroit chaud (dans une poche de manteau, un véhicule ou une petite glacière avec une chauffelette) jusqu'à 60 minutes.
4	Les lampes de forage s'allument, le bloc moteur tourne-s'arrête-tourne constamment à vide, ne fore pas la glace (trois [3] voyants de batterie allumés)	Le cœur de la batterie est trop froid. (Extrêmement)	Détacher la batterie de la machine et la placer dans un endroit chaud (dans une poche de manteau, un véhicule ou une petite glacière avec une chauffelette) jusqu'à 60 minutes.
5	Les lampes de forage s'allument, le bloc moteur tourne régulièrement à vide et tourne-s'arrête-tourne constamment durant le forage (trois [3] voyants de batterie allumés)	Le cœur de la batterie est trop froid. (Modérément)	Détacher la batterie de la machine et la placer dans un endroit chaud (dans une poche de manteau, un véhicule ou une petite glacière avec une chauffelette) jusqu'à 45 minutes.
6	Les lampes de forage s'allument, le bloc moteur tourne régulièrement à vide et tourne lentement à faible puissance durant le forage (trois [3] voyants de batterie allumés)	Le cœur de la batterie est trop froid. (Légèrement)	Détacher la batterie de la machine et la placer dans un endroit chaud (dans une poche de manteau, un véhicule ou une petite glacière avec une chauffelette) jusqu'à 30 minutes.
7	Les lampes de forage s'allument, le bloc moteur tourne régulièrement à vide et tourne lentement à faible puissance jusqu'à ce qu'il s'arrête durant le forage (deux [2] voyants de batterie allumés)	Le cœur de la batterie est trop froid pour la tension de batterie existante. (Légèrement avec tension basse)	Détacher la batterie de la machine et la placer dans un endroit chaud. Recharger complètement la batterie.
8	Les lampes de forage s'allument, le bloc moteur démarre, puis s'arrête durant le forage; redémarre UNIQUEMENT si la gâchette est actionnée (un [1] voyant de batterie allumé)	Charge de la batterie insuffisante.	Charger la batterie.

NO.	PROBLÈME	CAUSE POSSIBLE	SOLUTION / MESURE CORRECTIVE
9	Les voyants de batterie ne s'allument pas.	Batterie complètement déchargée ou défectueuse.	Charger ou changer la batterie.
10	Les lampes de forage ne s'allument PAS, le bloc moteur ne démarre PAS et les voyants de la batterie ne s'allument PAS.	Batterie complètement déchargée ou défectueuse.	Charger ou changer la batterie.
11	Le chargeur de batterie indique que la batterie à charger est « trop froide » (voyant rouge continu) alors que la batterie est à température ambiante.	Mauvais fonctionnement du capteur de température de la batterie.	Changer la batterie.
12	Les lampes de forage s'allument, le bloc moteur ne tourne pas, les trois (3) voyants de batterie indiquent la pleine charge. La machine FONCTIONNE avec une batterie différente.	Mauvais fonctionnement du capteur de température de la batterie.	Changer la batterie.
13	Les lampes de forage s'allument, le bloc moteur tourne régulièrement à vide et tourne normalement à pleine puissance jusqu'à ce qu'il s'arrête durant le forage. Le nombre de forages est nettement réduit par rapport au fonctionnement normal (deux [2] ou trois [3] voyants de batterie allumés).	La batterie se charge normalement et indique une bonne tension, mais n'a aucune capacité.	Changer la batterie.
14	Les lampes de forage s'allument, le bloc moteur ne tourne pas, les trois (3) voyants de batterie indiquent la pleine charge.	La gâchette de commande n'est pas complètement enfoncée.	Tenir la gâchette enfoncée pendant cinq secondes.
15	Les lampes de forage ne s'allument pas, mais le bloc moteur fonctionne normalement.	Le système de voyants est défaillant ou le module de commande n'envoie pas de courant au système de voyants.	Installer le nécessaire de voyants indicateurs ou changer le module de commande.
16	Les lampes de forage restent toujours allumées, la batterie doit être retirée pour les éteindre.	Défaillance de la carte d'éclairage.	Installer le nécessaire de voyants indicateurs ou changer le module de commande.
17	Les lampes de forage s'allument, un « cliquetis » est audible au sommet du capot de moteur et le bloc moteur ne tourne pas. Les voyants de batterie indiquent une pleine charge (la gâchette de commande a été actionnée pendant plus de 5 secondes, le cœur de la batterie n'est pas gelé). LA BATTERIE ÉTANT DÉBRANCHÉE, le réducteur PEUT être tourné à la main dans les deux sens sans interruption.	Le moteur ION essaie de tourner mais sans y parvenir en raison d'une tension d'alimentation insuffisante ou incomplète.	Retirer le panneau d'accès et le module de commande. Vérifier le raccordement entre le module de commande et le connecteur du moteur. Si tous les raccordements sont corrects, remettre le module de commande en place.
18	Les lampes de forage s'allument, un « cliquetis » est audible au sommet du capot de moteur et le bloc moteur ne tourne pas. Les voyants de batterie indiquent une pleine charge (la gâchette de commande a été actionnée pendant plus de 5 secondes, le cœur de la batterie n'est pas gelé). LA BATTERIE ÉTANT DÉBRANCHÉE, le réducteur NE PEUT PAS être tourné à la main dans les deux sens sans interruption.	Le moteur ION essaie de tourner mais sans y parvenir en raison de problèmes de réducteur.	Changer l'ensemble moteur-réducteur.
19	Le nombre de forages s'est fortement et rapidement réduit. Le nombre de forages ne peut pas être augmenté en changeant de batterie ni même de bloc moteur (les couteaux son neufs).	Outil endommagé ou faussé.	Changer l'outil de forage.
20	Soubresauts de la tarière sur la glace et pas de forage.	Couteaux émoussés, endommagés ou mal affûtés.	Remplacer par des couteaux neufs.
21	La tarière tourne à vitesse normale mais fore lentement la glace.	Couteaux émoussés, endommagés ou mal affûtés.	Remplacer par des couteaux neufs.
22	Le bloc moteur fonctionne normalement mais le nombre de forages est fortement réduit. La batterie indique une pleine charge. Le forage nécessite soudain l'application d'une pression vers le bas sur les poignées pour forer la glace.	Couteaux émoussés, endommagés ou mal affûtés.	Remplacer par des couteaux neufs.
23	Bloc moteur à marche arrière, fonctionne uniquement en marche avant.	Commutateur de marche arrière défectueux (en circuit ouvert) ou débranché à l'intérieur de la commande de poignée ou module de commande défectueux.	Démonter la commande de poignée, changer ou rebrancher le commutateur de marche arrière (si le commutateur et le câblage son corrects, changer le module de commande).
24	Bloc moteur à marche arrière, fonctionne uniquement en marche arrière.	Commutateur de marche arrière défectueux (en circuit fermé) ou câblage du commutateur desserré et en court-circuit ou module de commande défectueux.	Démonter la commande de poignée, changer ou rebrancher le commutateur de marche arrière (si le commutateur et le câblage son corrects, changer le module de commande).

Si les solutions ci-dessous échouent, s'adresser au service après-vente ION au **800-345-6007** ou **info@ioniceaugers.com** pour connaître le centre de réparation agréé le plus proche.



TARIÈRE À GLACE ÉLECTRIQUE ION®

MODALITÉS ET CONDITIONS DE LA GARANTIE

GARANTIE PRODUIT : GARANTIE LIMITÉE 3 ANS*

Ardisam, Inc., couvre cette tarière à glace électrique ION par une garantie limitée trois ans pièces et main-d'œuvre pendant une durée maximale de trente-six mois consécutifs à compter de la date de l'achat initial par le premier acheteur au détail ou utilisateur commercial. L'« usage grand public » fait référence à une utilisation personnelle à des fins récréatives par un acheteur au détail. L'« usage commercial », ou « application commerciale », correspond à toutes les autres utilisations, notamment à des fins commerciales, lucratives ou de location. Une fois que le produit a fait l'objet d'un usage commercial, il sera toujours considéré par la suite comme étant un produit à usage commercial pour les besoins de la garantie. Cette garantie s'applique au propriétaire initial muni d'une preuve d'achat. La garantie n'est pas cessible. La période de garantie débute à la date d'achat par le premier acheteur au détail ou utilisateur commercial et s'étend sur la période de trente-six mois consécutifs qui suit. Tout article utilisé dans le cadre d'une activité commerciale est couvert pendant une durée de 90 jours après l'achat. Pour que la garantie soit valable, le produit doit être enregistré en ligne à www.ioniceaugers.com ou la carte de garantie doit être remplie et reçue par Ardisam, Inc. dans les 30 jours après l'achat. Ardisam, Inc. n'est sous aucune obligation d'expédier un produit réparé ou échangé à une quelconque adresse en dehors des États-Unis d'Amérique et du Canada.

GARANTIE SUR LA BATTERIE : GARANTIE LIMITÉE 3 ANS*

Ardisam, Inc., couvre cette batterie ION par une garantie limitée trois ans pièces et main-d'œuvre pendant une durée maximale de trente-six mois consécutifs à compter de la date de l'achat initial par le premier acheteur au détail ou utilisateur commercial. L'« usage grand public » fait référence à une utilisation personnelle à des fins récréatives par un acheteur au détail. L'« usage commercial », ou « application commerciale », correspond à toutes les autres utilisations, notamment à des fins commerciales, lucratives ou de location. Une fois que le produit a fait l'objet d'un usage commercial, il sera toujours considéré par la suite comme étant un produit commercial pour les besoins de la garantie. Cette garantie s'applique au propriétaire initial muni d'une preuve d'achat. La garantie n'est pas cessible. La période de garantie débute à la date d'achat par le premier acheteur au détail ou utilisateur commercial et s'étend sur la période de trente-six mois consécutifs qui suit. Tout article utilisé dans le cadre d'une activité commerciale est couvert pendant une durée de 90 jours après l'achat. Pour que la garantie soit valable, le produit doit être enregistré en ligne à www.ioniceaugers.com ou la carte de garantie doit être remplie et reçue par Ardisam, Inc. dans les 30 jours après l'achat. Ardisam, Inc. n'est sous aucune obligation d'expédier un produit réparé ou échangé à une quelconque adresse en dehors des États-Unis d'Amérique et du Canada.

La présente garantie s'applique exclusivement aux produits n'ayant pas fait l'objet de négligence, emploi détourné, utilisations autres que celles indiquées dans le manuel de l'utilisateur du produit, modification, accident, utilisation de pièces non autorisées, manquement à effectuer l'entretien régulier indiqué dans le manuel de l'utilisateur du produit, usure normale, utilisation de pièces non autorisées ou réparations effectuées ailleurs que dans un centre de réparation agréé. Il n'existe aucune autre garantie expresse. Les garanties implicites, y compris celles de qualité marchande et d'adaptation à un emploi particulier, sont limitées à un an à compter de la date d'achat ou dans la mesure prévue par la loi. Toutes les autres garanties implicites sont exclues. La responsabilité de dommages indirects ou accessoires est exclue dans la mesure où l'exclusion est autorisée par la loi. Ardisam, Inc. n'assume aucune responsabilité et n'autorise personne à assumer en son nom une quelconque responsabilité en rapport avec la vente de ses produits. **Pour recourir à la garantie, veiller à obtenir un accord préalable en appelant notre service après-vente au 1-800-345-6007. Avant d'envoyer le produit à Ardisam, Inc. pour une réparation sous garantie, l'accord préalable d'Ardisam doit être obtenu en appelant notre service après-vente pour recevoir un numéro d'autorisation de renvoi de matériel (RMA#). Sous ces circonstances, tous les articles doivent être envoyés en port payé. Ardisam, à son entière discrétion, réparera ou remplacera sans frais toute pièce défectueuse qui remplit toutes les conditions énoncées ci-dessus. Ardisam se réserve le droit de modifier les modèles, les caractéristiques et les prix sans préavis. Ardisam, Inc. n'est sous aucune obligation d'expédier un produit réparé ou échangé à une quelconque adresse en dehors des États-Unis d'Amérique et du Canada.*



ION™ ICE FISHING

Division d'Ardisam, Inc.

1160 8th Avenue, PO Box 666, Cumberland, WI 54829

800-345-6007 | Télécopieur 715-822-2223 | Courriel: info@ioniceaugers.com